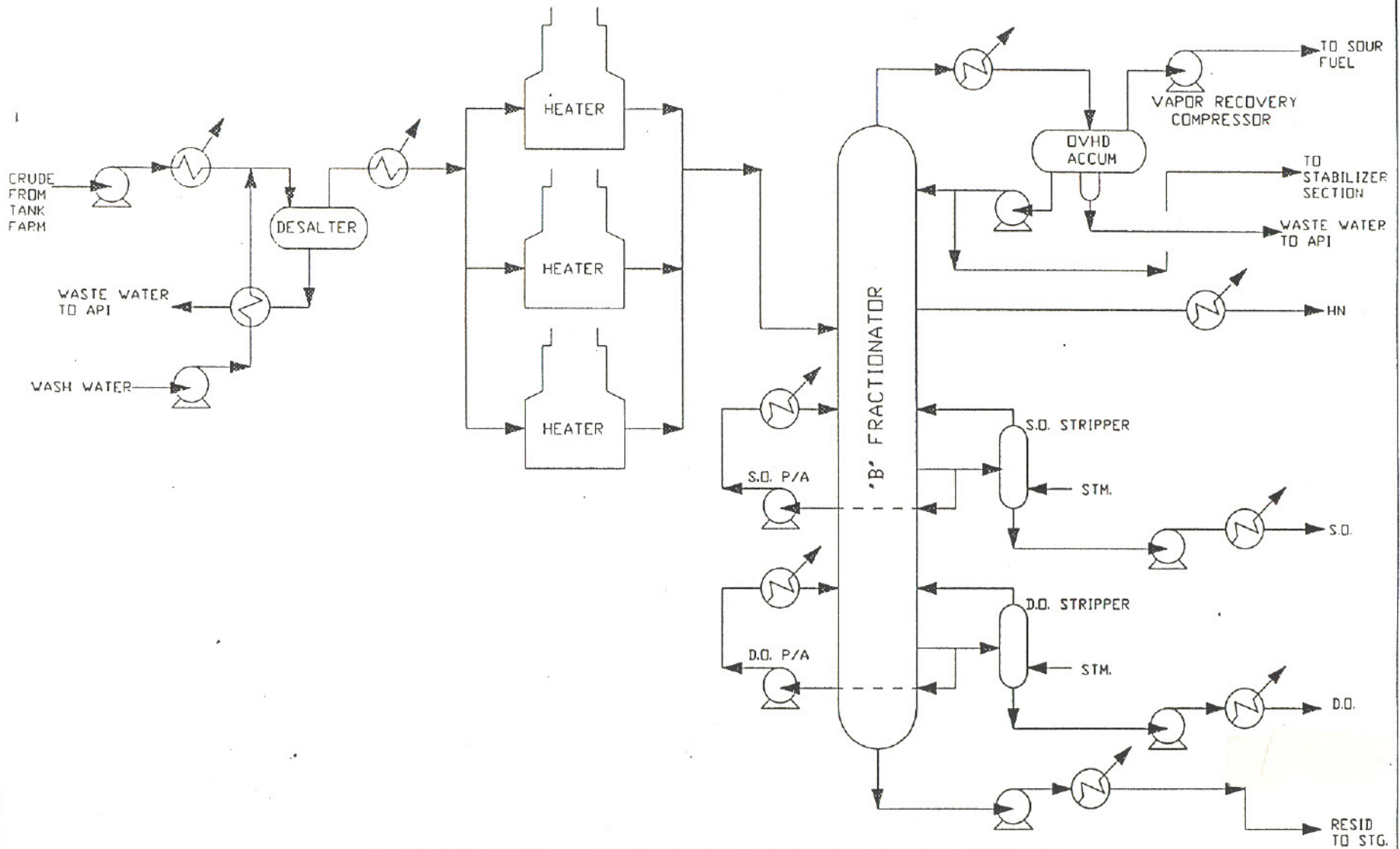


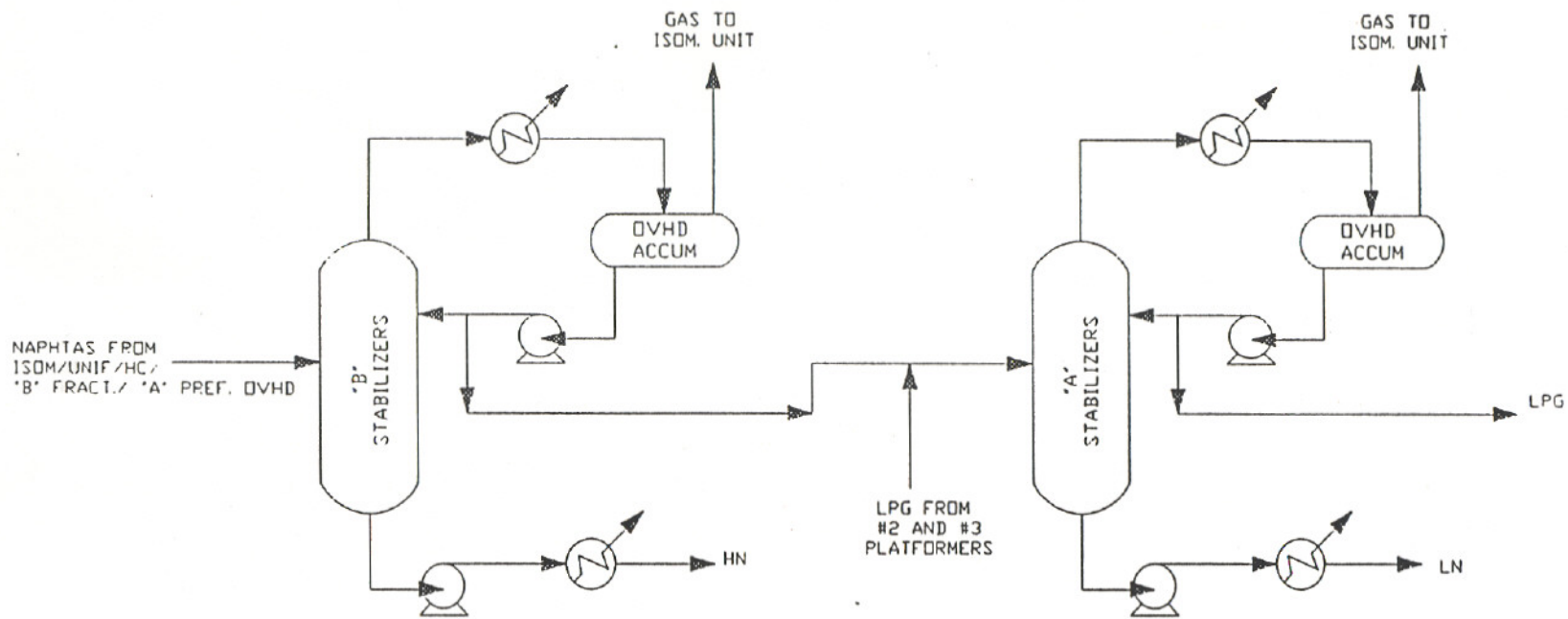
A CRUDE UNIT - SIMPLIFIED PROCESS FLOW DIAGRAM

DRAWN BY: JOHN G. MARIN



B CRUDE UNIT - SIMPLIFIED PROCESS FLOW DIAGRAM

DRAWN BY: JOHN G. MARIN



CRUDE UNIT STABILIZERS - SIMPLIFIED PROCESS FLOW DIAGRAM

DRAWN BY: JOHN G. MARIN